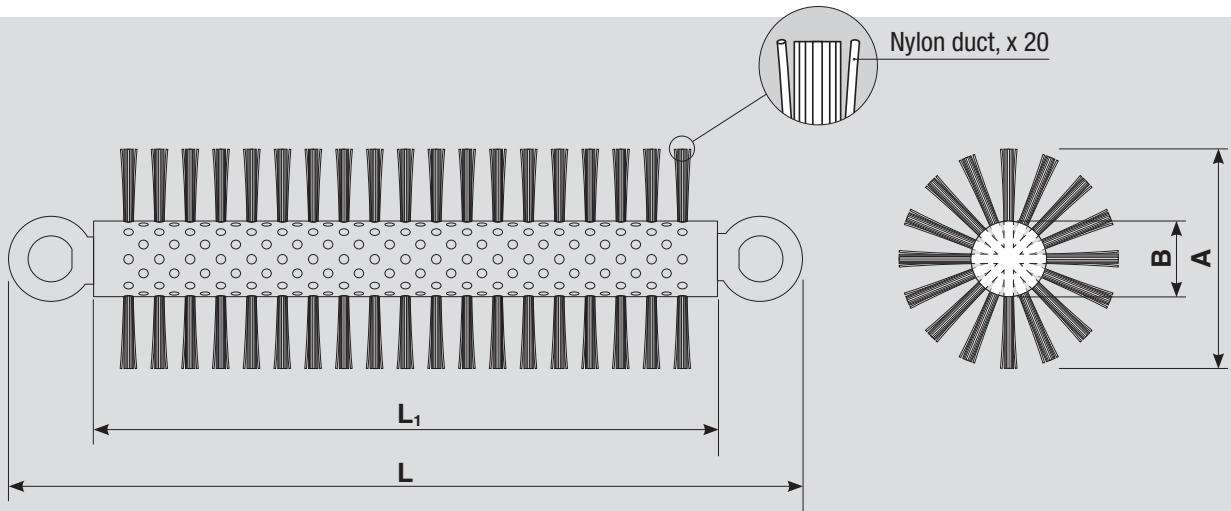




JZ-KB...

- | | | | | |
|--|---|--|--|---|
| <p>EN
Pipes cleaning brushes light series, made by:</p> <ul style="list-style-type: none"> • nylon bristle • Teflon core • galvanized steel shackle link | <p>D
Rohrnylonbürsten, leichte Ausführung, bestehend aus:</p> <ul style="list-style-type: none"> • Bürsten in Nylon • Kern aus Teflon • Ösen aus verzinktem Stahl | <p>EN
Pipes cleaning brushes light series, made by:</p> <ul style="list-style-type: none"> • nylon bristle • Teflon core • galvanized steel shackle link | <p>EN
Pipes cleaning brushes light series, made by:</p> <ul style="list-style-type: none"> • nylon bristle • Teflon core • galvanized steel shackle link | <p>I
Spazzola per tubi, serie leggera, composta da:</p> <ul style="list-style-type: none"> • spazzole in nylon • perno in teflon • occhielli in acciaio zincato |
|--|---|--|--|---|



art.	Ø A	Ø B	Øi	L ₁	L	Ø	M	o	
JZ-KB0340	34 mm	9,5 mm	Ø A + 5-10 mm	205 mm	285 mm	1 mm	M6	20 mm	0,100 kg
JZ-KB0440	44 mm	9,5 mm	Ø A + 5-10 mm	205 mm	285 mm	1 mm	M6	20 mm	0,105 kg
JZ-KB0600	60 mm	9,5 mm	Ø A + 5-10 mm	205 mm	285 mm	1 mm	M6	20 mm	0,120 kg
JZ-KB0600	60 mm	31 mm	Ø A + 5-10 mm	430 mm	520 mm	0,37 mm	M6	20 mm	0,70 kg
JZ-KB0800	80 mm	41 mm	Ø A + 5-10 mm	430 mm	520 mm	1 mm	M6	20 mm	0,95 kg
JZ-KB1000	100 mm	41 mm	Ø A + 5-10 mm	430 mm	520 mm	1 mm	M6	20 mm	1,00 kg
JZ-KB1010	117 mm	41 mm	Ø A + 5-10 mm	430 mm	520 mm	1 mm	M6	20 mm	1,05 kg

Subject to technical changes without prior notice. Technische Änderungen vorbehalten. Sujeto a variaciones técnicas sin previo aviso. Sujet à des modifications techniques sans préavis. Soggetto a variazioni tecniche senza preavviso.