

**EN**

Cable drum lifting device by means of the central drum hole. Made of painted high tensile steel, the device includes the attaching hook with safety latch. Fast and easy to use for the safe lifting of drums.

**Device not suitable for the rotation of the cable drum.**

**D**

Schnellgreifhaken (Paar) für das Heben von Kabeltrommeln über die zentrale Trommelbohrung, gefertigt aus verzinktem, lackiertem Stahl mit Haken und Sicherheitsverschluss. Einfache Handhabung, schnelle und sichere Montage.

**Nicht zum abspulen des Kabels/Seils geeignet.**

**EN**

Cable drum lifting device by means of the central drum hole. Made of painted high tensile steel, the device includes the attaching hook with safety latch. Fast and easy to use for the safe lifting of drums.

**Device not suitable for the rotation of the cable drum.**

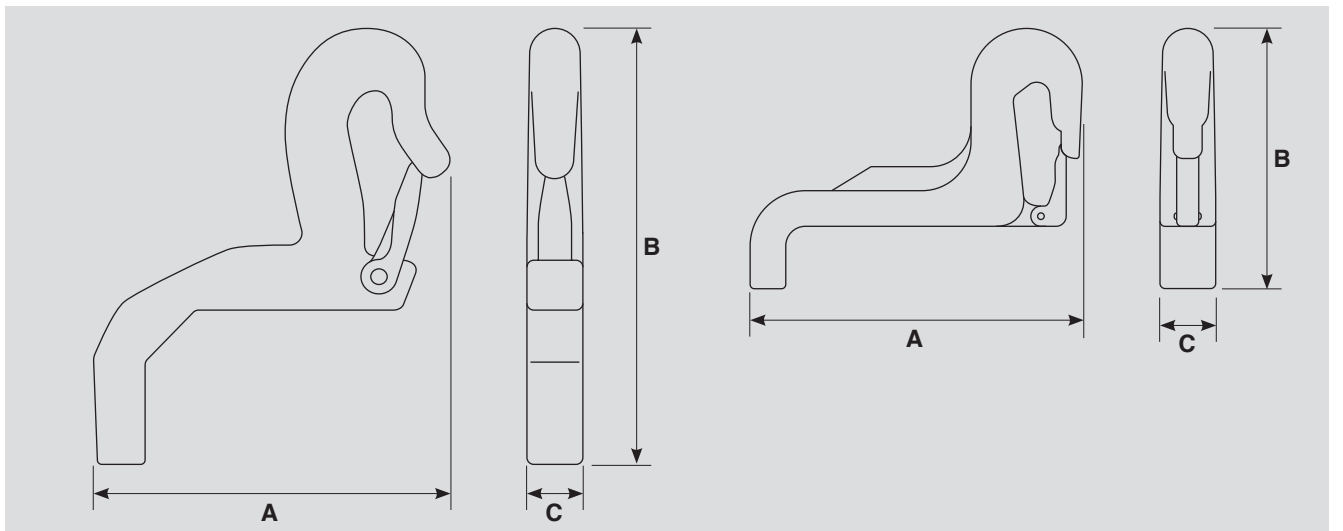
**EN**


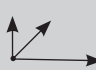
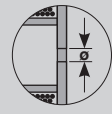
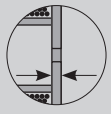

Cable drum lifting device by means of the central drum hole. Made of painted high tensile steel, the device includes the attaching hook with safety latch. Fast and easy to use for the safe lifting of drums.

**Device not suitable for the rotation of the cable drum.**

**I**

Gancio (paio) per sollevamento bobine attraverso il foro centrale, realizzato in acciaio verniciato, con incorporato il gancio di sollevamento con linguetta di sicurezza. Facile da utilizzare per il sollevamento di bobine in sicurezza. **Dispositivo non adatto per la rotazione della bobina.**



art.					
J01383000	6000 kg	250x145 / 315x40 mm	70 – 100 mm	130 mm	6,0 kg
J01384000	8000 kg	380x145 / 315x55 mm	120 – 140 mm	200 mm	13,8 kg