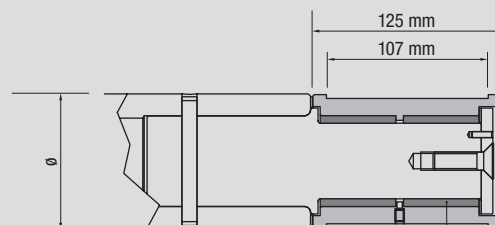
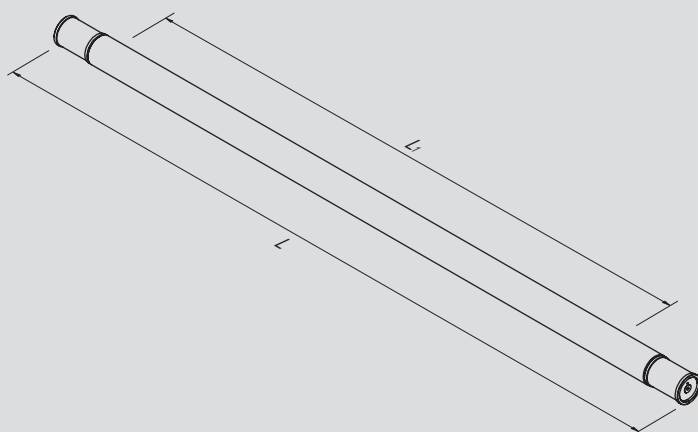




JKB-K238b

- EN Galvanized steel spindle,** with both turning ends, mounted on self-lubricating bushes and shape fit for support series JZ-2670SGC and JZ-KT2700SGC.
- D Trommelwelle aus Stahl,** drehbar, mit selbstschmierende Gleitlagerbuchsen. Ideal für die Aufnahme auf Kabeltrommel-Hebeböcke der Serie JZ-2670SGC und JZ-KT2700SGC.
- E Eje tubular de acero,** giratorio, con buje autolubricantes. Muecas ideales para alojar gatos de tambores de cables de las series JZ-2670SGC y JZ-KT2700SGC.
- F Arbre creux en acier,** rotatif, avec des paliers lisses autolubrificants. Encoches idéales pour des chevalets lève-bobines de support des series JZ-2670SGC et JZ-KT2700SGC.
- I Albero tubolare in acciaio zincato,** con estremità girevoli montate su bronzina autolubrificante, sede di appoggio idonea per supporti serie cavalletti JZ-2670SGC e JZ-KT2700SGC.

art.	∅	L	L ₁	↓	📦	Fit for cable drum stands ... Geeignet für Kabeltrommelbock ... Adecuado para soporte tambor ... Approprié pour chevalets lève-bobines ... idoneo per cavaletto ...
JKB-K238b	60 mm	1750 mm	1500 mm	1800 kg	13,5 kg	JZ-KT2660
JKB-K239e	75 mm	1750 mm	1500 mm	5000 kg	27,0 kg	JZ-KT2670 - JZ-KT2680
JKB-K239f	75 mm	2050 mm	1800 mm	5000 kg	18,5 kg	JZ-KT2670 - JZ-KT2680
JKB-K239g	75 mm	2300 mm	2050 mm	5000 kg	34,0 kg	JZ-KT2670 - JZ-KT2680
JKB-K240e	90 mm	1750 mm	1500 mm	10000 kg	40,0 kg	JZ-KT2700
JKB-K240f	90 mm	2050 mm	1800 mm	10000 kg	44,0 kg	JZ-KT2700
JKB-K240g	90 mm	2300 mm	2050 mm	10000 kg	48,5 kg	JZ-KT2700



Self-lubricating bushing
Gleitlagerbuchsen, selbstschmierend
Buje autolubricante
Palier lisse autolubrificante
Bronzina autolubrificante

Subject to technical changes without prior notice. Technische Änderungen vorbehalten. Soggetto a variazioni tecniche senza preavviso. Sujet à des modifications techniques sans préavis.