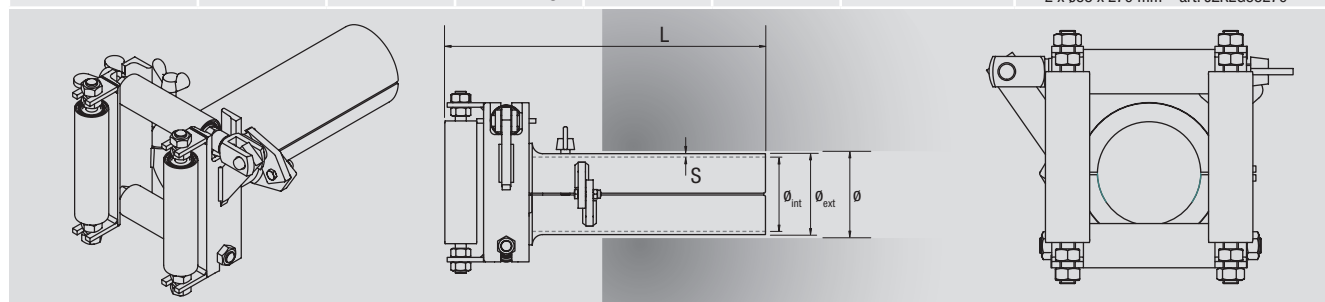




JZ-KEG060CH

- EN** Cable protecting **galvanized steel** socket with quad-rollers guiding frame, mounted on ball bearings, fit for cable installations in sub-duct.
- D** Verzinktes Kabeleinführgerät zum Schutz von Zugseil/Kabel, mit 4 **verzinkten Stahlrollen** und Spannvorrichtung zur Befestigung im Rohr.
- E** Conduit de protección de cables cincado, con 4 rodillos en **acero cincado** montado sobre cojinetes de esferas apantallados.
- F** Dispositif de déviation galvanisé, avec 4 rouleaux de **acier galvanisé** monté sur des paliers balle blindé.
- I** Bussola di protezione in **acciaio zincato** con 4 rulli disposti a cornice, per l'installazione di cavi in tubazioni.

art.	\varnothing_{int}	\varnothing_{est}		L	S	\varnothing min-max	2 mm
JZ-KEG060CH	45 mm	51 mm	4,10 kg	360 mm	3,0 mm	51 - 61 mm	2 x $\varnothing 35$ x 75 mm – art. JZKEG3575 2 x $\varnothing 35$ x 75 mm – art. JZKEG3575
JZ-KEG070CH	54 mm	60 mm	4,50 kg	360 mm	3,0 mm	60 - 70 mm	
JZ-KEG080CH	70 mm	76 mm	5,00 kg	360 mm	3,0 mm	76 - 86 mm	2 x $\varnothing 35$ x 80 mm – art. JZKEG3580 2 x $\varnothing 35$ x 115 mm – art. JZKEG35115
JZ-KEG100CH	83 mm	89 mm	5,90 kg	360 mm	3,0 mm	89 - 99 mm	2 x $\varnothing 35$ x 115 mm – art. JZKEG35115 2 x $\varnothing 35$ x 135 mm – art. JZKEG35135
JZ-KEG110CH	95 mm	110 mm	7,20 kg	360 mm	4,0 mm	110 - 120 mm	2 x $\varnothing 35$ x 115 mm – art. JZKEG35115 2 x $\varnothing 35$ x 145 mm – art. JZKEG35145
JZ-KEG120CH	106 mm	114 mm	6,70 kg	360 mm	4,0 mm	114 - 124 mm	2 x $\varnothing 35$ x 135 mm – art. JZKEG35135 2 x $\varnothing 35$ x 135 mm – art. JZKEG35135
JZ-KEG140CH	125 mm	133 mm	7,60 kg	360 mm	4,0 mm	133 - 143 mm	2 x $\varnothing 35$ x 135 mm – art. JZKEG35135 2 x $\varnothing 35$ x 150 mm – art. JZKEG35150
JZ-KEG150CH	132 mm	140 mm	8,00 kg	360 mm	4,0 mm	140 - 141 mm	
JZ-KEG160CH	144 mm	152 mm	8,80 kg	360 mm	4,0 mm	152 - 162 mm	2 x $\varnothing 35$ x 155 mm – art. JZKEG35155 2 x $\varnothing 35$ x 155 mm – art. JZKEG35155
JZ-KEG180CH	158 mm	168 mm	9,90 kg	360 mm	5,0 mm	168 - 178 mm	2 x $\varnothing 35$ x 185 mm – art. JZKEG35185 2 x $\varnothing 35$ x 185 mm – art. JZKEG35185
JZ-KEG200CH	184 mm	194 mm	12,40 kg	410 mm	5,0 mm	194 - 204 mm	2 x $\varnothing 35$ x 191 mm – art. JZKEG35191 2 x $\varnothing 35$ x 201 mm – art. JZKEG35201
JZ-KEG220CH	108 mm	220 mm	13,80 kg	410 mm	6,0 mm	220 - 230 mm	
JZ-KEG250CH	232 mm	244 mm	15,00 kg	410 mm	6,0 mm	244 - 254 mm	2 x $\varnothing 38$ x 250 mm – art. JZKEG38250 2 x $\varnothing 38$ x 250 mm – art. JZKEG38250
JZ-KEG300CH	261 mm	273 mm	17,50 kg	410 mm	6,0 mm	273 - 283 mm	2 x $\varnothing 38$ x 270 mm – art. JZKEG38270 2 x $\varnothing 38$ x 270 mm – art. JZKEG38270



Subject to technical changes without prior notice. Technische Änderungen vorbehalten. Soggetto a variazioni tecniche senza preavviso. Sujet à des modifications techniques sans préavis.