



JZ-KET060ST

EN

Galvanized steel cable protecting sockets with adjustable diameter and **single solid steel roller** mounted on ball bearings, fit for cable installations in sub-duct.

D

Verzinkte Einführtülle zur Führung und zum Schutz von Zugseil/Kabel, mit **verzinkter, massiven Stahlrolle**, verstärkte Ausführung, und Spannvorrichtung zur Befestigung im Rohr.

E

Conduit de protección de cables cincado, con rodillo en **acero macizo cincado** montado sobre cojinetes de esferas apantallados

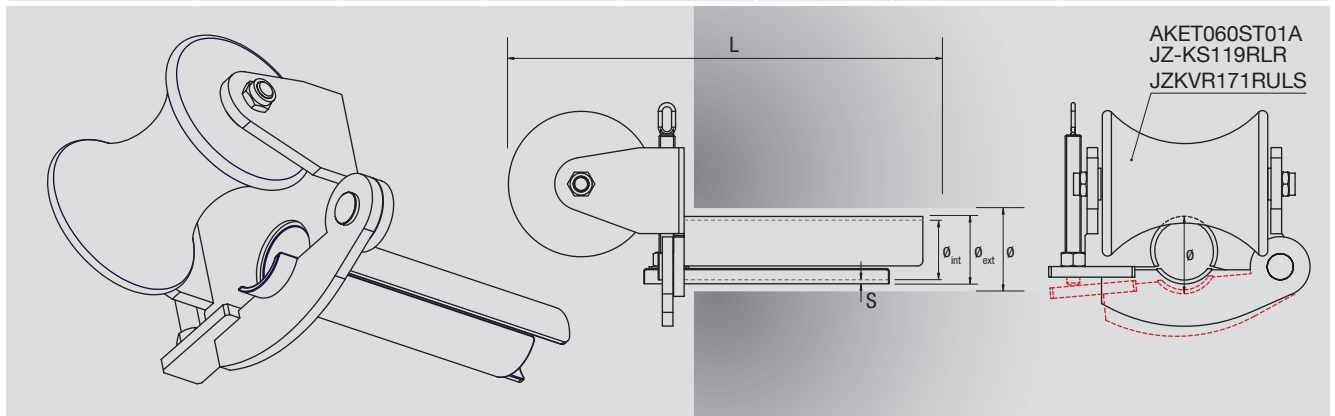
F

Dispositif de déviation galvanisé, avec rouleaux de **acier massif galvanisé** monté sur des paliers balle blindé

I

Bussola di protezione in acciaio zincato con rullo in **acciaio pieno** montato su cuscinetti a sfere, per l'installazione di cavi in tubazioni.

art.	∅ _{int}	∅ _{est}		L	S	∅	
JZ-KET060ST	45 mm	51 mm	5,80 kg	360 mm	3,0 mm	51 - 61 mm	∅ 51 - 90 x 100 mm - 2,6 kg art. AKET060ST01A
JZ-KET070ST	54 mm	60 mm	6,10 kg	360 mm	3,0 mm	60 - 70 mm	
JZ-KET080ST	70 mm	76 mm	6,60 kg	360 mm	3,0 mm	76 - 86 mm	
JZ-KET100ST	83 mm	89 mm	6,90 kg	360 mm	3,0 mm	89 - 99 mm	∅ 60 - 110 x 125 mm - 4,40 kg art. JZKS119RLST
JZ-KET120ST	106 mm	114 mm	9,00 kg	360 mm	4,0 mm	114 - 124 mm	
JZ-KET140ST	125 mm	133 mm	9,70 kg	360 mm	4,0 mm	133 - 143 mm	
JZ-KET150ST	132 mm	140 mm	9,90 kg	360 mm	4,0 mm	140 - 141 mm	∅ 55 - 107 x 176 mm - 5,30 kg art. JZKVR171RULS
JZ-KET160ST	144 mm	152 mm	11,50 kg	360 mm	4,0 mm	152 - 162 mm	
JZ-KET180ST	158 mm	168 mm	12,00 kg	360 mm	5,0 mm	168 - 178 mm	



Subject to technical changes without prior notice. Technische Änderungen vorbehalten. Soggetto a variazioni tecniche senza preavviso. Sujet à des modifications techniques sans préavis. Soggetto a variazioni tecniche senza preavviso.