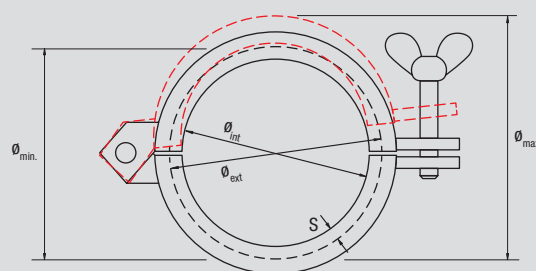
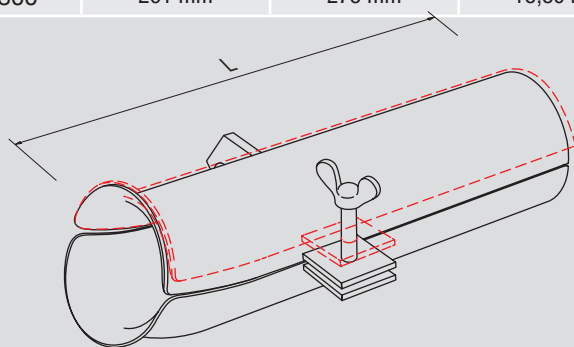


JZ-KS11060

EN Cable protecting galvanized steel sockets, **curved**, with screwed locking clamp.
D Kabelschutzrohr, verzinkt, **gebogen**, mit Scharnier und Spannvorrichtung.
E Conduit de protección de cables galvanizado, **versión curva**.
F Conduit de protection de câble, galvanisé, **version courbé**.
I Bussola proteggi cavo in acciaio zincato **tipo curva**, con vite di fissaggio.

art.	\varnothing_{int}	\varnothing_{est}		L	S	\varnothing min. /max
JZ-KS11060	45 mm	51 mm	0,90 kg	280 mm	3,0 mm	51 - 61 mm
JZ-KS11070	54 mm	60 mm	1,50 kg	280 mm	3,0 mm	60 - 70 mm
JZ-KS11080	70 mm	76 mm	2,05 kg	280 mm	3,0 mm	76 - 86 mm
JZ-KS11100	83 mm	89 mm	2,40 kg	280 mm	3,0 mm	89 - 99 mm
JZ-KS11120	106 mm	114 mm	3,80 kg	280 mm	4,0 mm	114 - 124 mm
JZ-KS11140	125 mm	133 mm	4,40 kg	280 mm	4,0 mm	133 - 143 mm
JZ-KS11150	132 mm	140 mm	4,70 kg	280 mm	4,0 mm	140 - 150 mm
JZ-KS11160	144 mm	152 mm	5,10 kg	310 mm	4,0 mm	152 - 162 mm
JZ-KS11180	158 mm	168 mm	5,80 kg	310 mm	5,0 mm	168 - 178 mm
JZ-KS11200	184 mm	194 mm	6,95 kg	310 mm	5,0 mm	194 - 204 mm
JZ-KS11220	208 mm	220 mm	9,15 kg	310 mm	6,0 mm	220 - 230 mm
JZ-KS11250	232 mm	244 mm	12,60 kg	310 mm	6,0 mm	244 - 254 mm
JZ-KS11300	261 mm	273 mm	13,80 kg	310 mm	6,0 mm	273 - 283 mm



Subject to technical changes without prior notice. Technische Änderungen vorbehalten. Soggetto a variazioni tecniche senza preavviso. Sujet à des modifications techniques sans préavis.